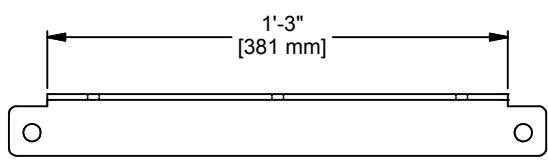
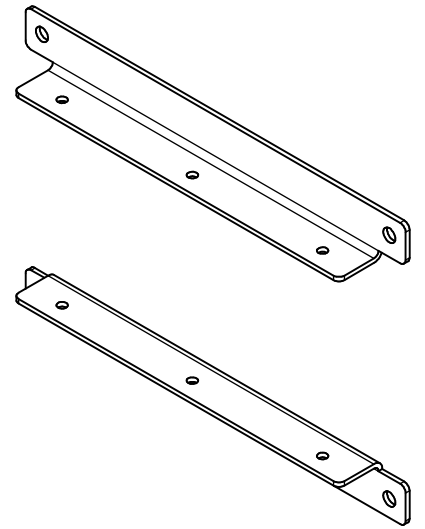




PEG BOARD
NOT INCLUDED

105-MBK
MOUNTING BRACKET



NOTES:

- Mounting Bracket Kit mounts (1) peg board to a wall. Designed to work with model 105-1560 and 105-3030 Peg Boards.
- Includes (2) heavy gauge steel brackets with a black powder coat finish.
- Wall mounting anchors are specified and supplied by others.

REV	BY	DATE




Gared Holdings, LLC
9200 E. 146th St. Noblesville, IN 46060

THIS DOCUMENT CONTAINS TRADE SECRET AND OTHER MATERIALS WHICH ARE PROTECTED BY CONFIDENTIALITY NOTICE AND AGREEMENT AND BY COPYRIGHT. ANY USE OR COPYING OF THIS DOCUMENT EXCEPT AS AUTHORIZED BY GARED HOLDINGS, LLC IS STRICTLY PROHIBITED.

MOUNTING BRACKET KIT, PEG BOARD

DRAWN	CROSBY	DATE	6/9/2020	DATE ISSUED
APPROVED		DATE		
FILE LOC. Q:\Inventor Files\Specification Files\13_Gym Equipment				
SIZE	SCALE	SHT. NO.	PART NO.	REV
A		1 OF 1	105-MBK	